

Tensile Force Measuring Head Series STAK 310



The unit STAK 310 is a precise and compact device for measuring tensile forces on running material. It contains all necessary components in one housing.

- display - indication the measured value
- measuring-system with measuring-and guiderollers
- amplifier with analog-outputsignal
- adjustment for ZERO (Tare)
- adjustment the GAIN (Calibration)

Fixing into the line is very easy. It is ready for operation immediately.

Application: Measuring tensile forces on: yarn, thin wires and other flexible material

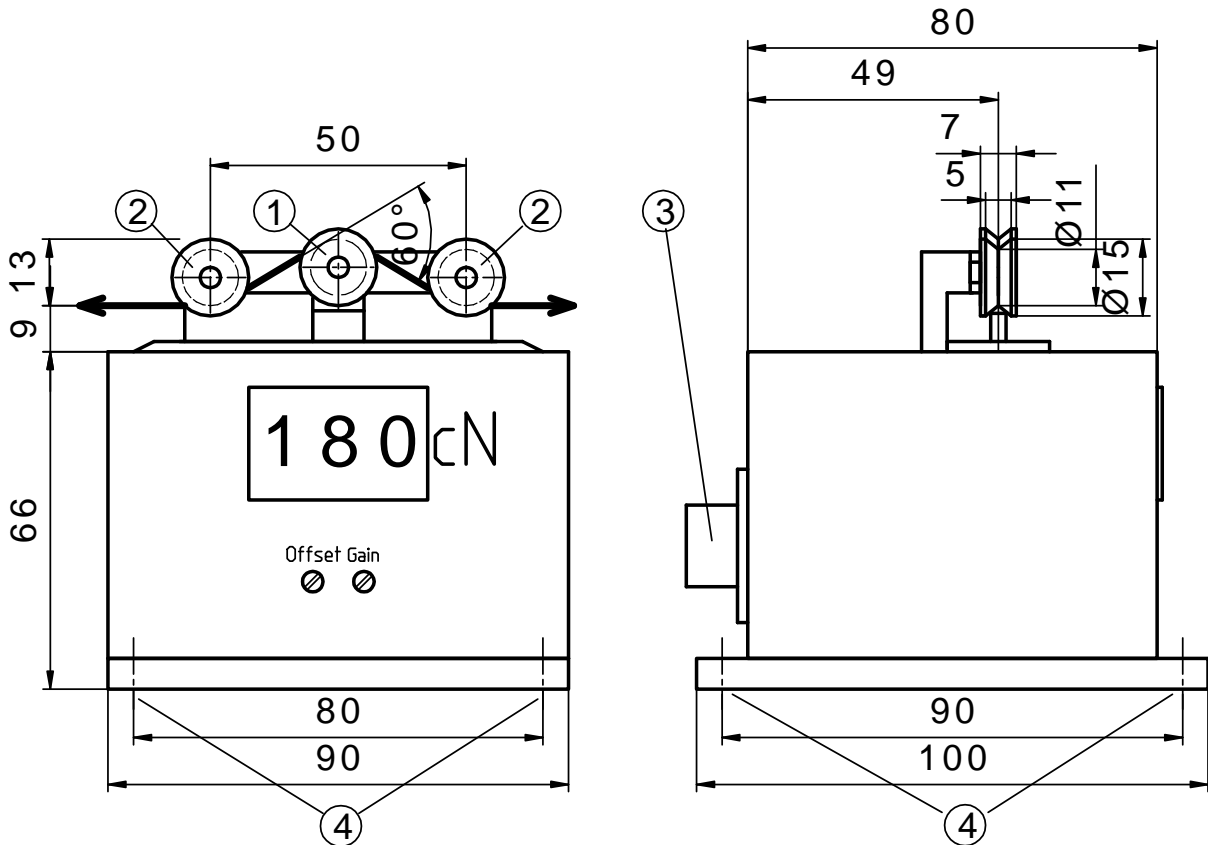
Measuring ranges: 0 - 199,9 cN / 0 - 300 cN / 0 - 500 cN / 0 - 10,00 N / 0 - 19,99 N

Series STAK 310 is available for service-voltages of 5 V, 12 V, 24 V DC and 100 - 240 V AC . Therewith it is compatible to most of the existing sources of tension.

The analogue-output supplies a tension of 0 .-. +10V, which is proportional to the measuring results. This signal can be used as actual value for controlling.

Technical data:
Tensionmeter STAK 310

Dimensions:


Description:

 1 = measuring roller 3 = connection-socket
 2 = guiderollers 4 = holes for fixing \varnothing 5,3mm

Measuring-ranges:

0 - 199,9 cN / 0 - 300 cN / 0 - 500 cN / 0 - 10,00 N / 0 - 19,99 N

Error meas.system:

< 0,4 %

Display:

9,4 mm high, red LED, 3 ½ - digits, max. indication = 1999

Service voltage:

 100 V - 240 V AC, 47 - 63Hz, 0,3A
 5 V DC / < 140 mA
 12 V DC / < 100 mA
 24 V DC / < 35 mA

Analogue-output :

0 - 10 V, max. 2 mA load.

option: Output current

4 - 20 mA

Rollers :
 \varnothing 10 mm aluminium-rollers running in double-ball-bearings, V - shaped
 \varnothing 10 mm aluminium-rollers running in double-ball-bearings, ceramic coated
 Option: rollers tailor-made

Housing:

aluminium - alloy

Weight:

approx. 660 g

Included in delivery:

complete unit, connector and plug, instruction manual