

Electronic Tensionmeter COMBI 490

For Cables: roller guiding M150

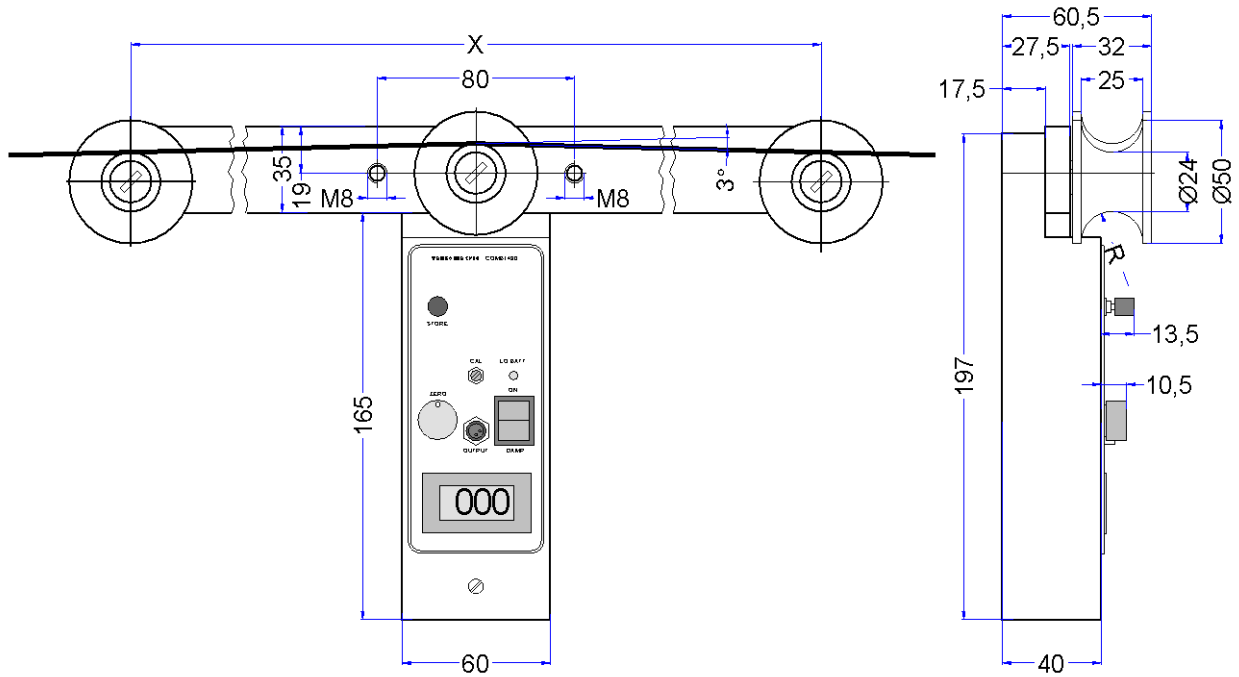


For wires: roller guiding M156



<i>Description:</i>	Electronic tensionmeter, battery-operated, for short-time measurement for one - hand - operation, direct reading of measured value on the digital display. easy threading into running material
Application M150: <i>Specials:</i>	Tensile force measurement on stranded wire and cable up to \varnothing of 25mm For measuring press the head only against the material.
Application M156: <i>Specials:</i>	Tensile force measurement on stranded wire, cable, cord, threads etc up to 2mm \varnothing . on wires up to 1mm \varnothing 3 different roller guides can be adjusted by relocation guide rollers.
<i>Nominal loads:</i>	50,0N, 100,0N, 199,9N, 300N, 500N 1000N and 1999N
<i>Overload protection:</i>	Depending on nominal load: $\geq 500\%$ - 1000%
<i>Display:</i> <i>Peak value display:</i>	digital LCD - display, 3 ½ digits, height 10 mm, 3 measurements / sec. OPTION: At the push of a button only peak values are indicated.
<i>Damping:</i>	A damping can be switched on for smooth measurement value indication
<i>HOLD- function:</i>	At the push of a button the last-indicated value is hold
<i>Material guiding:</i>	standard: equipped with double-ball-bearing mounted V-shaped aluminium- rollers, other rollers upon request
<i>Roller spacing:</i>	X = 180mm for measuring wires, up to 480 mm for measuring cables; can be customized according to measuring task.
<i>Calibration:</i>	Factory calibrated. Calibration can be effected and controlled by the customer.
<i>Meas. error:</i>	Error of integrated measuring system: <0,5 %
<i>Zero adjustment:</i>	Taring of measuring roller weight by turning knob.
<i>Damping:</i>	A damping can be switched on for smooth measurement value indication in case of fluctuant tensile tensions.
<i>Output signal:</i>	Analogue output signal 0 to +1V corresponding to 0-100% of nominal load.
<i>Power supply:</i>	9 V battery, type 6LR61, battery control by lamp. Operating time approx. 75 hours with an alkaline battery
<i>Housing:</i>	Material aluminium alloy
<i>Weight:</i>	Ca. 600 grams up to ca. 1000 grams according to design.
<i>Included in delivery:</i> <i>Available in addition:</i>	Combi 490 in plastic-box, Instruction-manual, 9 V battery, Output connector Rechargeable battery 9V, with charging device

Dimensions COMBI 490 - 150:



Dimensions COMBI 490 - 156:

