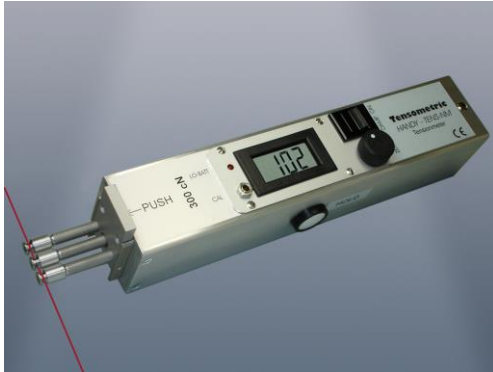
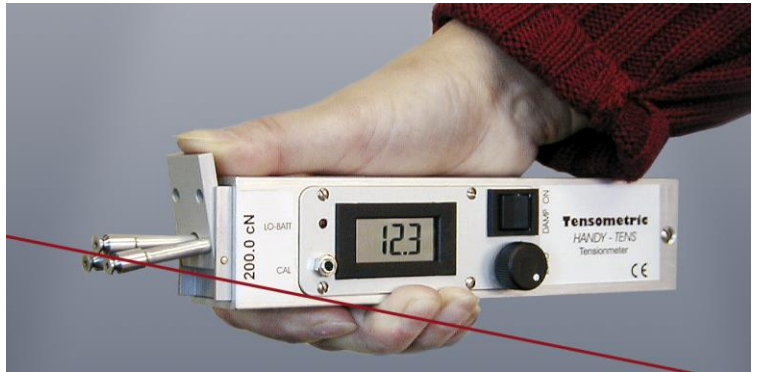


## Electronic Tensionmeter **HANDY - TENS**

*HANDY – TENS – NM**Display on top**HANDY – TENS**Display on the side*

Easy threading in the running material

**NEW: Option: Peak indication**

Direct read-out of the measured tension  
Smooth display by means of the effective damping

Solid aluminium-housing  
Ideal for spot-checking

*Application:* Tension-measurement on threads, yarns, filaments and other flexible material

*Nominal loads:* 100 cN measuring range: 0,0 cN - 100,0 cN in 0,1 cN steps  
200 cN measuring range: 0,0 cN - 199,9 cN in 0,1 cN steps  
300 cN measuring range: 1 cN - 300 cN in 1 cN steps

*Overload protection:* 500%

*Display:* digital LCD - display, 3 ½ digits, height 10 mm, 3 measurements / sec.

*Peak value display:* OPTION: At the push of a button only peak values are indicated.

*HOLD - function:* During a push of the button the last measured value is permanently indicated

*Threading elements:* a) Standard: equipped with rollers, running in precise ball-bearings for material speeds up to max. 1200 m/min  
b) equipped with fixed, ceramic thread guides, no limit for the material-speed

*Calibration:* factory calibrated, can be done and controlled at any time, by the customer himself

*Meas. Error:* < 3% - in measuring-range from 0 up to the calibration-point.

*Zero:* easy adjustment by means of a turning knob.  
OPTION: automatic adjustment by means of a key, output - signal 0 - 1 V  
Connector for output signal included in delivery

*Damping:* A damping can be switched on for smooth measurement value indication in case of fluctuant thread tensions.

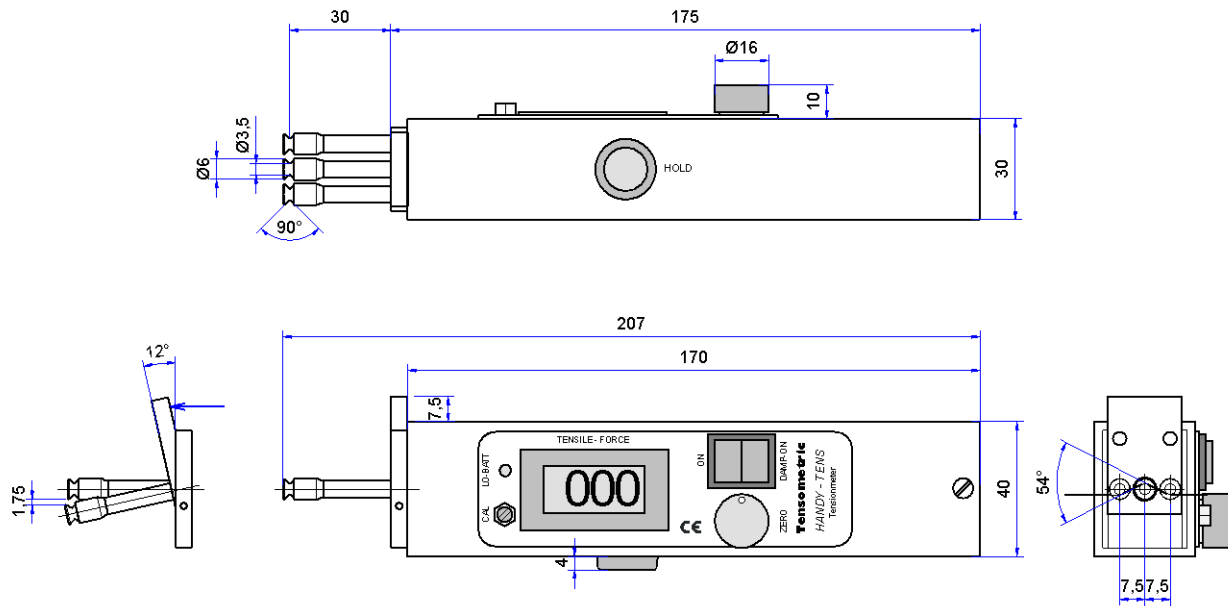
*Power supply:* 9 V battery, type 6LR61, battery control by lamp.  
Operating time approx. 75 hours with an alkaline battery

*Weight:* Handy-Tens: 315 gram, incl. battery; Handy-Tens-NM: 360 gram, incl. battery

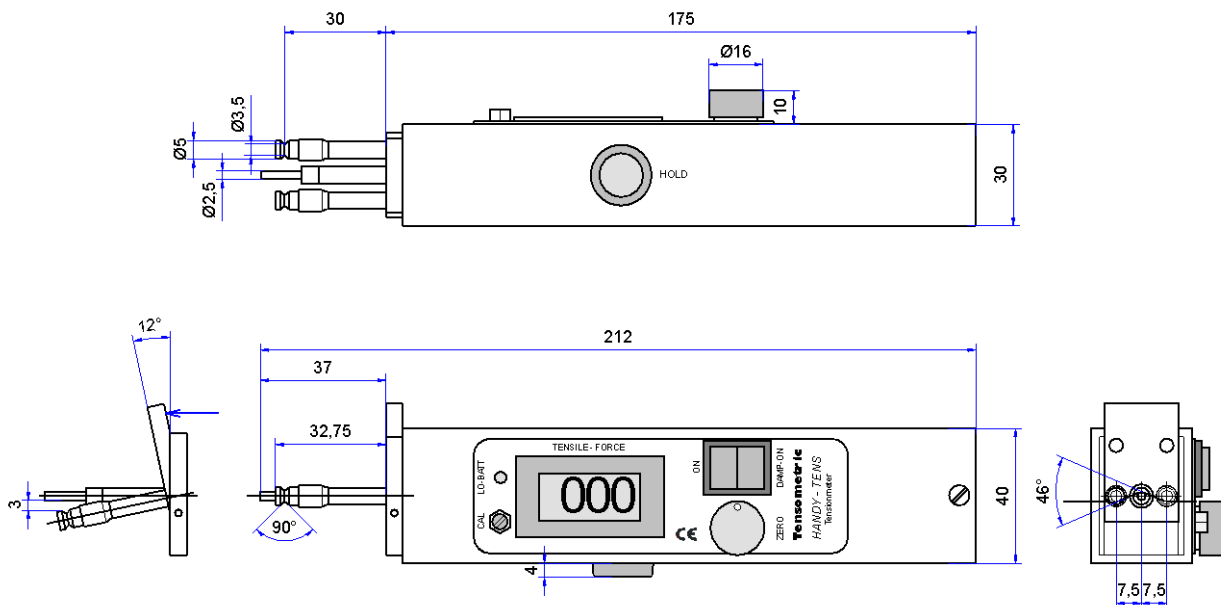
*Included in delivery:* Handy - Tens with leather-case (Handy-Tens-NM in plastic-box), instruction-manual, 9 V battery

*Available in addition:* Rechargeable battery 9V, with charging device

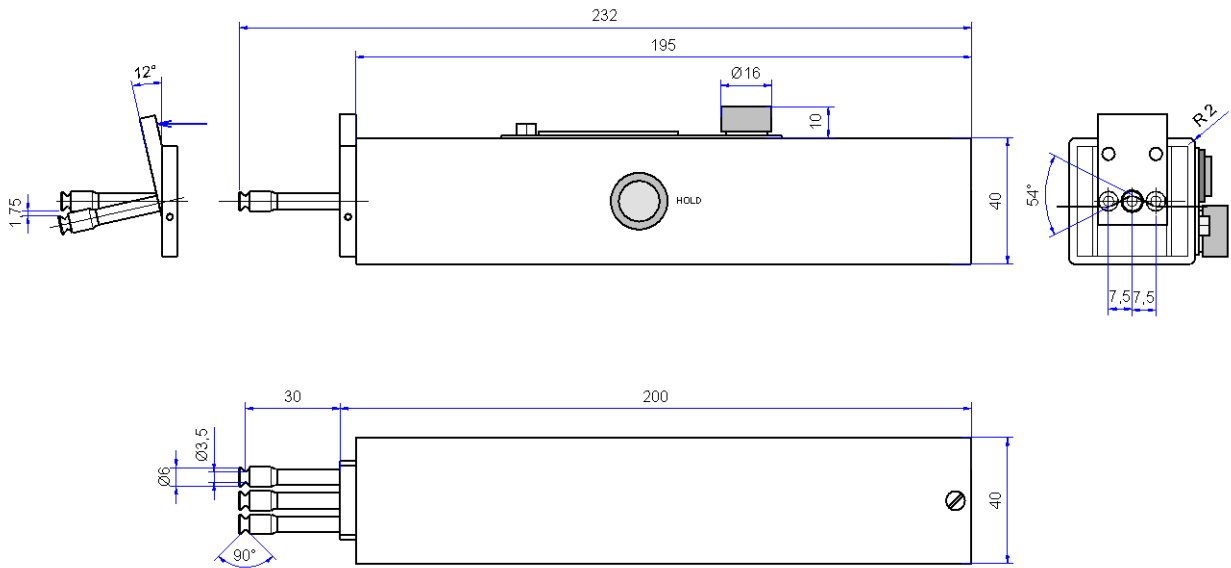
**Dimensions Handy-Tens, with rollers running in ball- bearings:**



**Dimensions Handy-Tens with fixed ceramic thread guides:**



**Dimensions Handy-Tens- NM with rollers running in ball- bearings::**



**Dimensions Handy-Tens- NM with fixed ceramic thread guides:**

