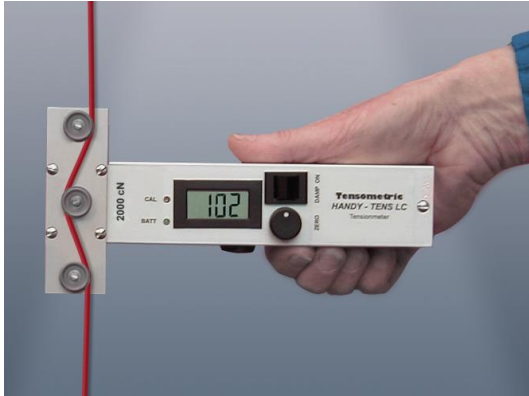


Electronic Tensionmeter HANDY - TENS - LC

HANDY- TENS- LC

figure 1



HANDY- TENS- LC

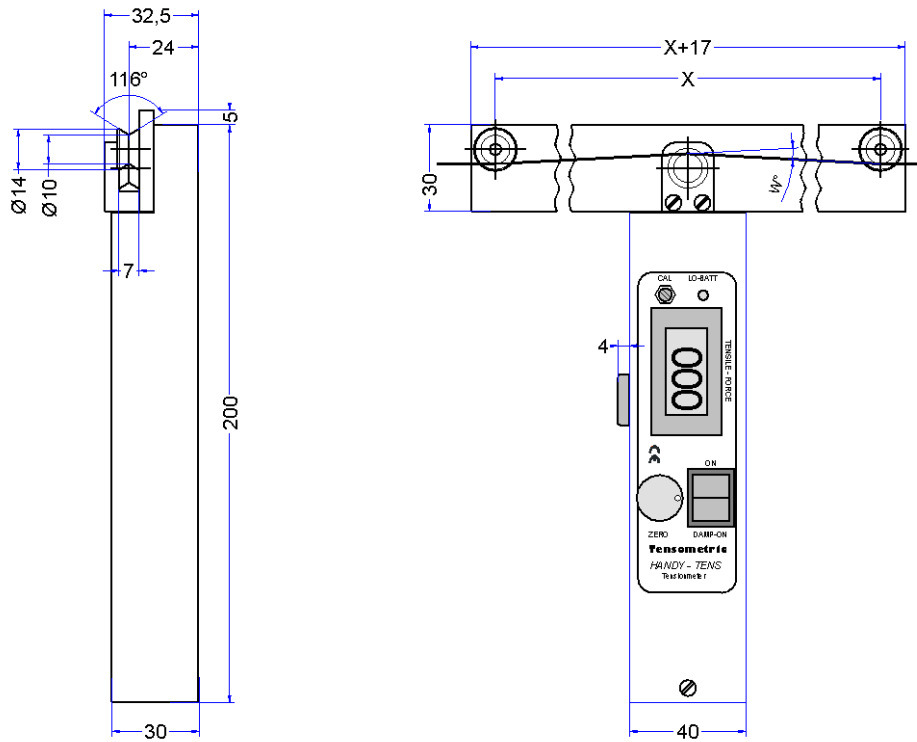
figure 2



- Description:** Electronic tensionmeter, battery-operated, for short-time measurement. Small and handy instrument for one hand operation. Direct read out of the measured values. Easy threading into running material.
- Application:** for measuring tension on: thin and stranded wire, textile material, tapes
- Nominal loads:**
- | | | |
|------------------------------------------------------------------|----------------------------------------|----------|
| Type 20 N (2000 cN) | solution: 0,01 N (1 cN) steps | |
| Type 20N-1: distance between the outer guide-rollers: X = 63 mm | | figure 1 |
| Type 20N-2: distance between the outer guide-rollers: X = 133 mm | | figure 2 |
| For measuring flexible wire up to diameter 0,5 mm | | |
| Type 100N | solution: 0,1 N (10 cN) steps | |
| distance between the outer guide rollers : X = 133 mm | | figure 2 |
- Overload protection:** $\geq 500 \%$
- Display:** digital LCD - display, 3 ½ digits, height 10 mm, 3 measurements / sec.
- Peak value display:** OPTION: At the push of a button only peak values are indicated.
- HOLD- function:** At the push of a button the last-indicated value is hold
- Material guiding:** three aluminium-rollers running with double-ball-bearings $\varnothing 10$ mm
- Options:**
- three aluminium-rollers running with double-ball-bearings $\varnothing 10$ mm, ceramic coated
 - For material-speed up to 2200 m/min
 - steel rollers or rollers for tapes or others upon request
- Calibration:** factory calibrated, can be done and controled at any time, by the customer himself
- Zero:** easy adjustment by means of a turning knob.
- Damping:** A damping can be switched on for smooth measurement value indication in case of fluctuant tensile tensions.
- Power supply:** 9 V battery, type 6LR61, battery control by lamp. Operating time approx. 75 hours with an alkaline battery
- Housing:** aluminium – alloy *Weight:* 300 grams
- Included in delivery:** *Handy – Tens* with plastic case, instruction-manual, 9 V battery
- Available in addition:** Rechargeable battery 9V, with charging device

Dimensions Handy-Tens-LC:

figure 3



Dimensions Handy-Tens-LC: Rollers for tapes:

figure 4

