

Electronic Tensionmeter HANDY - TENS - VK

HANDY – TENS VK



HANDY – TENS VK 2

**Description:**

Electronic tensionmeter, battery operated tensionmeter, for short-time measurement
 Designed as handheld device with large measuring range.
 Direct reading of measured values on the digital display. **Option: peak value display**
 Easy threading into running material by shiftable guide roller.
 Small solid aluminium housing

Handy – Tens VK:**Application:****Measuring range:****Meas. Error:**

Tension-measurement on threads, carpet-yarn, filaments and other flexible material
 1 cN - 1999 cN in 1 cN steps, other measuring ranges upon request
 < 1% - in measuring-range from 0 up to the calibration-point.

Handy – Tens VK2:**Application:****Measuring range:****Meas. error:**

Tension-measurement on: thin wires, threads, carpet-yarn, filaments and other flexible material
 0,1 N - 80,0 N resolution 10cN (0,1N) steps, other measuring ranges upon request
 < 2% - in measuring-range from 0 up to the calibration-point.

Overload protection:

≥ 500 %

Display:

digital LCD - display, 3 ½ digits, height 10 mm, 3 measurements / sec.

Peak value display:

OPTION: At the push of a button only peak values are indicated.

HOLD- function:

At the push of a button the last-indicated value is hold

Threading-elements:

measuring- and guide rollers are running in precise ball-bearings on extra - long elements.
 - For material speeds up to 2000 m/min
 - ceramic coated, or steel-rollers, rollers for tapes
 - ceramic guides for material speeds up to 6000 m/min - other material guides on request

Options:**Calibration:**

factory calibration, can be done and controled at any time by the customer himself

Zero:

automatical adjustment by push of a button;
 if peak value indication is installed: adjustment by turning knob.

Damping:

A damping can be switched on for smooth measurement value indication in case of fluctuant tensile tensions.

Output signal:

Analogue output signal 0 to +1V corresponding to 0-100% of nominal load.

Power supply:

9 V battery, type 6LR61, battery control by lamp.
 Operating time approx. 75 hours with an alkaline battery

Dimensions:

210 mm x 55 mm x 40 mm Weight : 350 gram

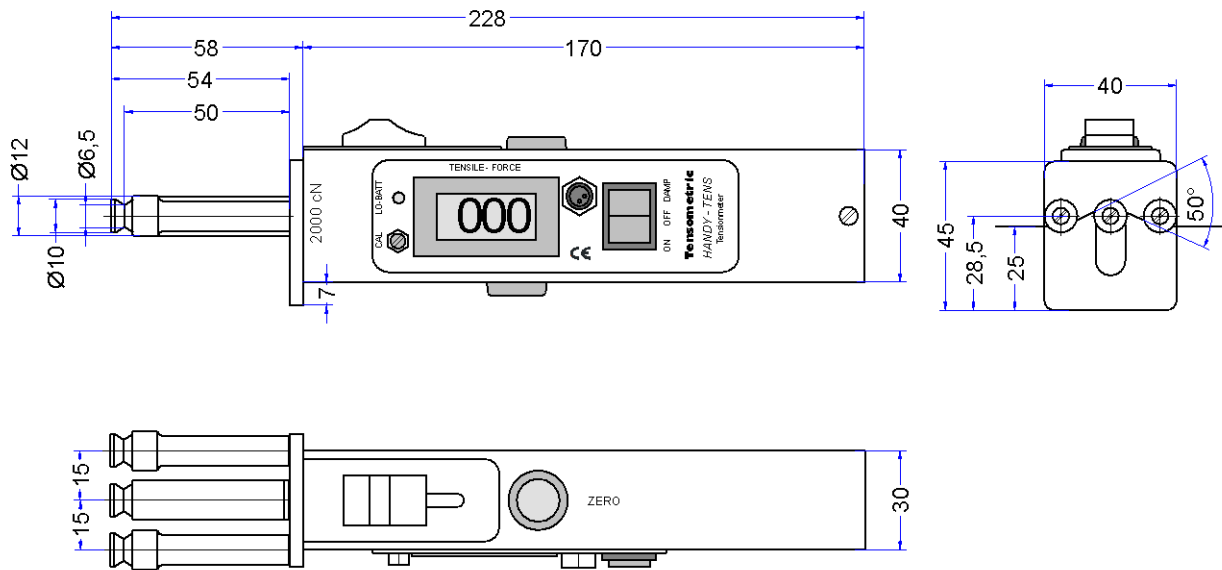
Included in delivery:

Handy – Tens with case, connector for output signal, Instruction-manual, 9 V battery

Available in addition:

Rechargeable battery 9V, with charging device

Dimensions Handy-Tens-VK:



Dimensions Handy-Tens-VK2:

